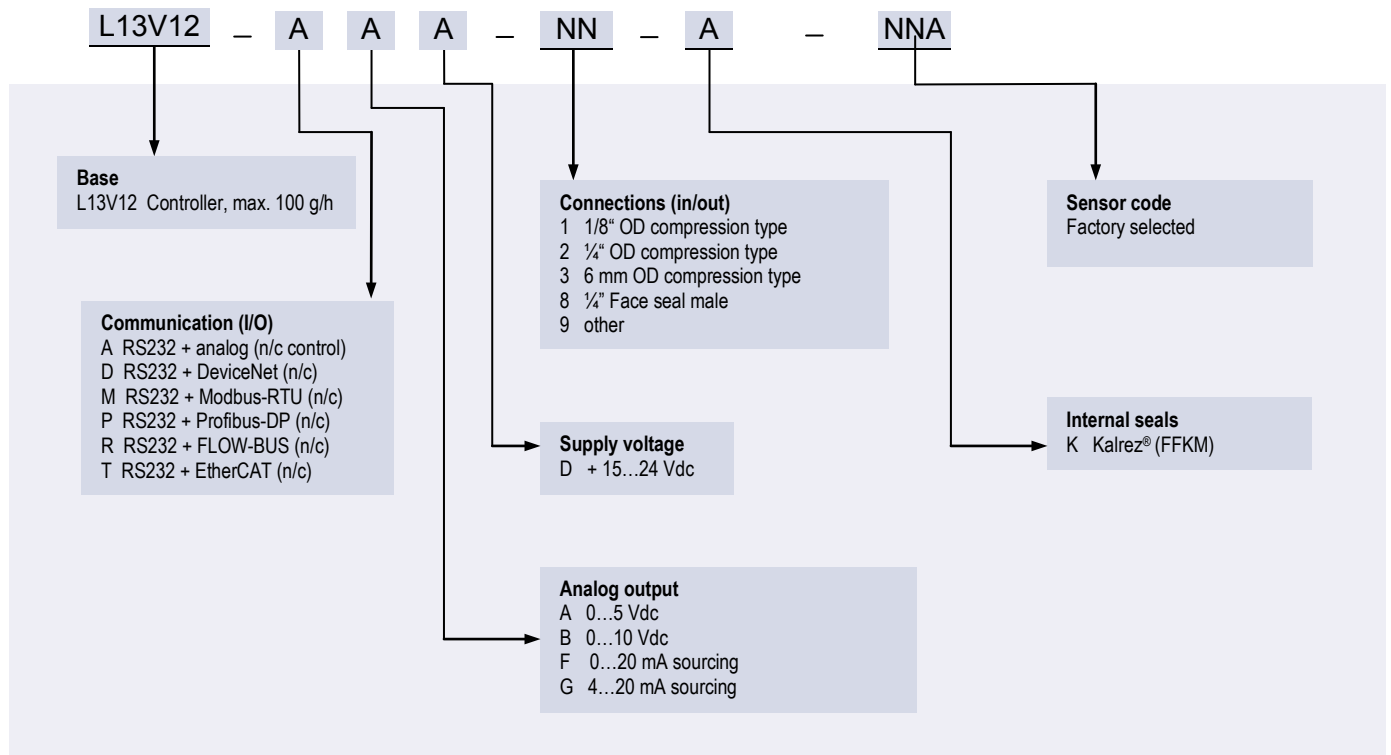
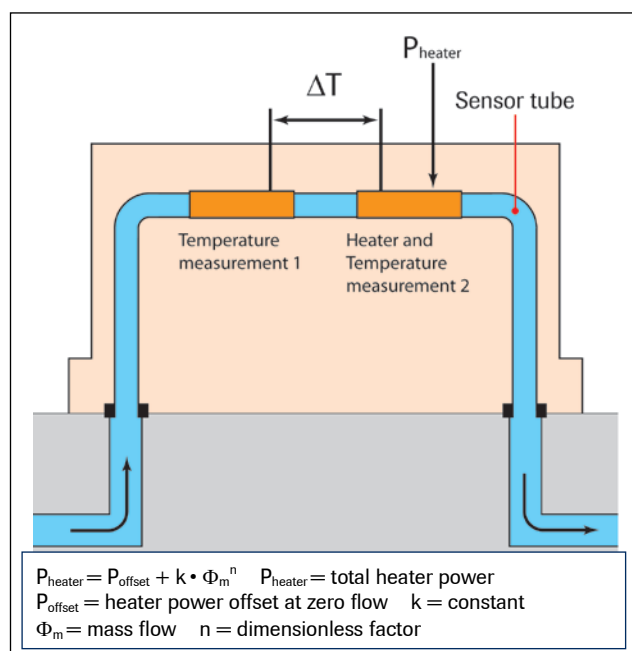


> Model number identification



> Thermal mass flow measuring principle

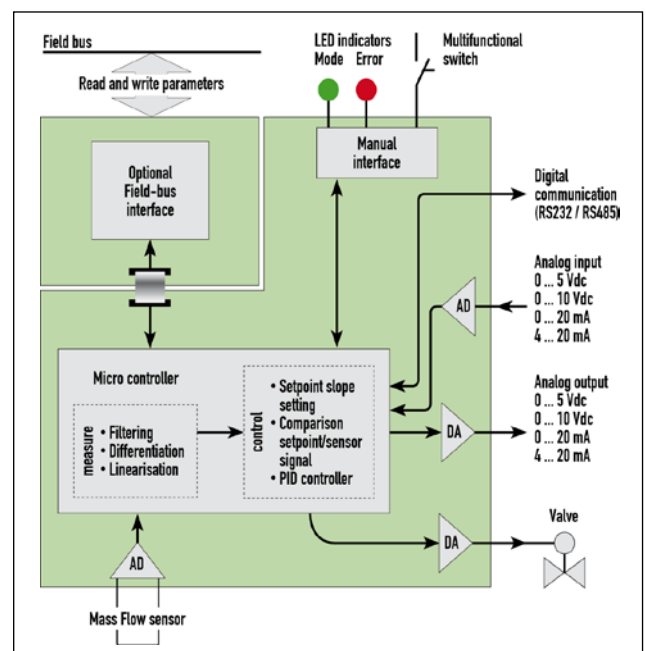
A LIQUI-FLOW™ thermal Mass Flow Meter for liquids is basically a stainless steel tube without any moving parts or built-in obstructions. The heater/sensor assembly is arranged around the tube and, by following the anemometric principle, a constant difference in temperature (ΔT) is created and the energy (P) required to maintain the ΔT is dependent of the mass flow rate. Due to the benefits of the unique patented sensor, the fluid will be warmed to a maximum of 5°C, thereby making the LIQUI-FLOW™ series suitable for fluids with low boiling points.



Functional scheme of the thermal mass flow sensor

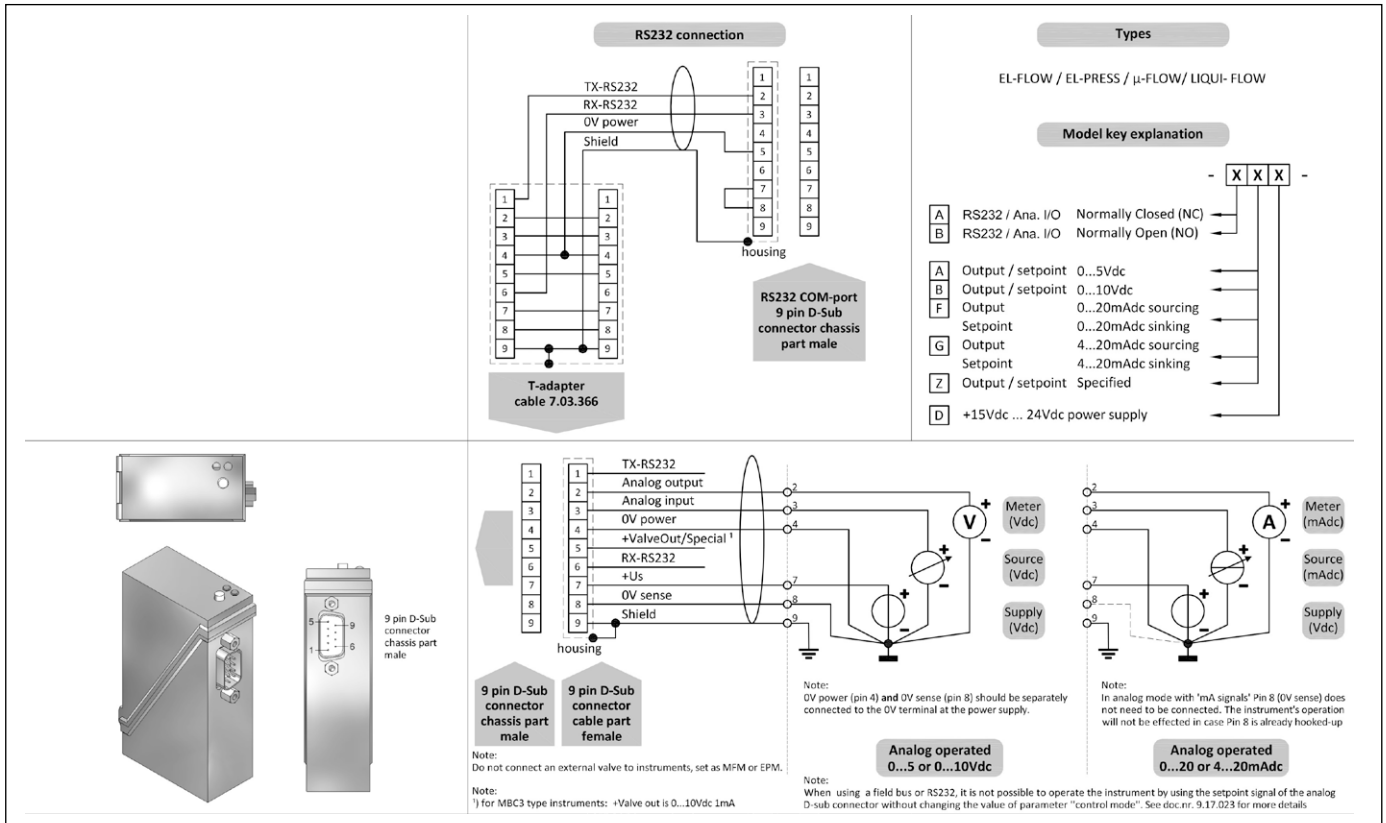
> State of the art digital design

Today's LIQUI-FLOW™ series are equipped with a digital pc-board, offering high accuracy, excellent temperature stability and fast response. The basic digital pc-board contains all of the general functions needed for measurement and control. In addition to the standard RS232 output the instruments also offer analog I/O. Furthermore, an integrated interface board provides DeviceNet™, Profibus-DP®, Modbus-RTU, EtherCAT® or FLOW-BUS protocols.



Functional scheme of the digital PC-board

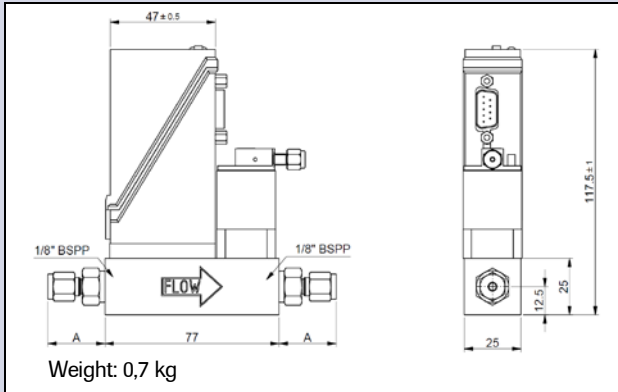
> Hook-up diagram for analog or RS232 communication



> Hook-up diagrams for fieldbus communication



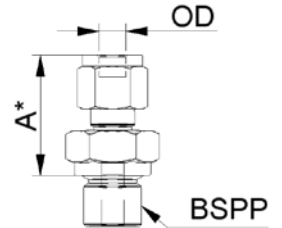
> Dimensions (mm) and weight (kg)



Dimension table adapters (RS-type)

Compression type		1/8"BSPP	Size A
adapter	3 mm OD		25.3
adapter	6 mm OD		27.6
adapter	8 mm OD		28.6
adapter	1/16" OD		20.6
adapter	1/8" OD		25.3
adapter	1/4" OD		27.6
adapter	3/8" OD		29.5
Face-seal male		A	
adapter	1/8" inlet		17.8
adapter	1/4" inlet		23.7

Compression type



*) Dimension A is typical finger-tight.

> Options and accessories

- Free software support for operation, monitoring, optimizing or to interface between digital instruments and windows software.	
- BRIGHT compact local Readout/Control module - E-5700 / E-7000 Power Supply	
- Interconnecting cables for power and analog/digital communication - PiPS Plug-in Power Supply	

> Alternatives

- µ-FLOW series Liquid Flow Controller for ultra low flow rates (100 mg/h...2 g/h FS)	
- LIQUI-FLOW™ Liquid Flow Controller model L23V12 (100...1000 g/h FS)	
- LIQUI-FLOW™ Liquid Flow Meter model L13 (5...100 g/h FS)	
- LIQUI-FLOW™ Industrial Style Liquid Flow Meter model L13I with close coupled control valve (5...100 g/h FS)	

По вопросам продаж и поддержки обращайтесь:

Волгоград +7 (8442) 45-94-42
Екатеринбург +7 (343) 302-14-75
Ижевск +7 (3412) 20-90-75
Казань +7 (843) 207-19-05

Краснодар +7 (861) 238-86-59
Красноярск +7 (391) 989-82-67
Москва +7 (499) 404-24-72
Ниж.Новгород +7 (831) 200-34-65

Новосибирск +7 (383) 235-95-48
Омск +7 (381) 299-16-70
Пермь +7 (342) 233-81-65
Ростов-на-Дону +7 (863) 309-14-65

Самара +7 (846) 219-28-25
Санкт-Петербург +7 (812) 660-57-09
Саратов +7 (845) 239-86-35
Сочи +7 (862) 279-22-65

сайт: bronkhorst.pro-solution.ru | эл. почта: brk@pro-solution.ru
телефон: 8 800 511 88 70